

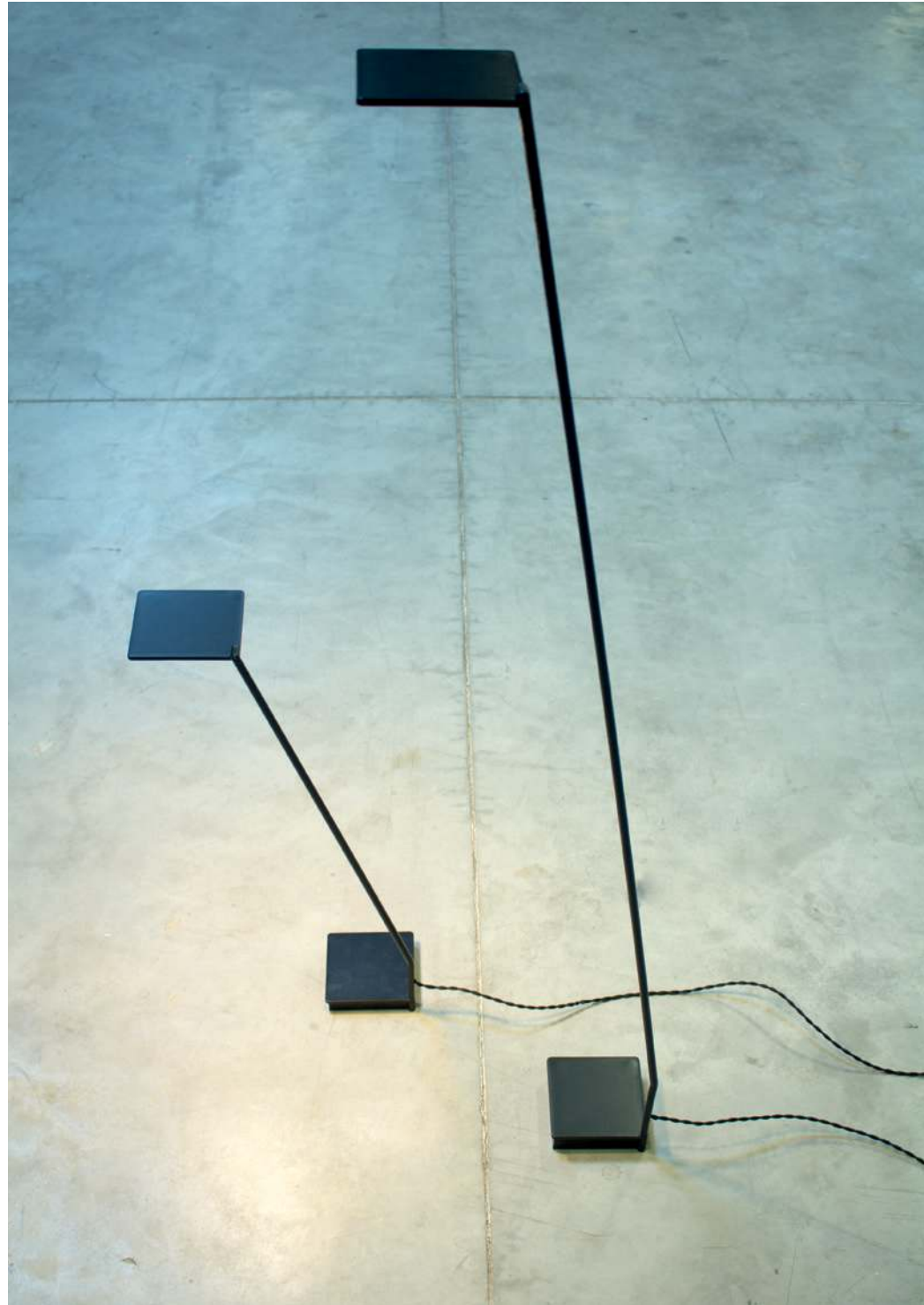
# oh!led NEW

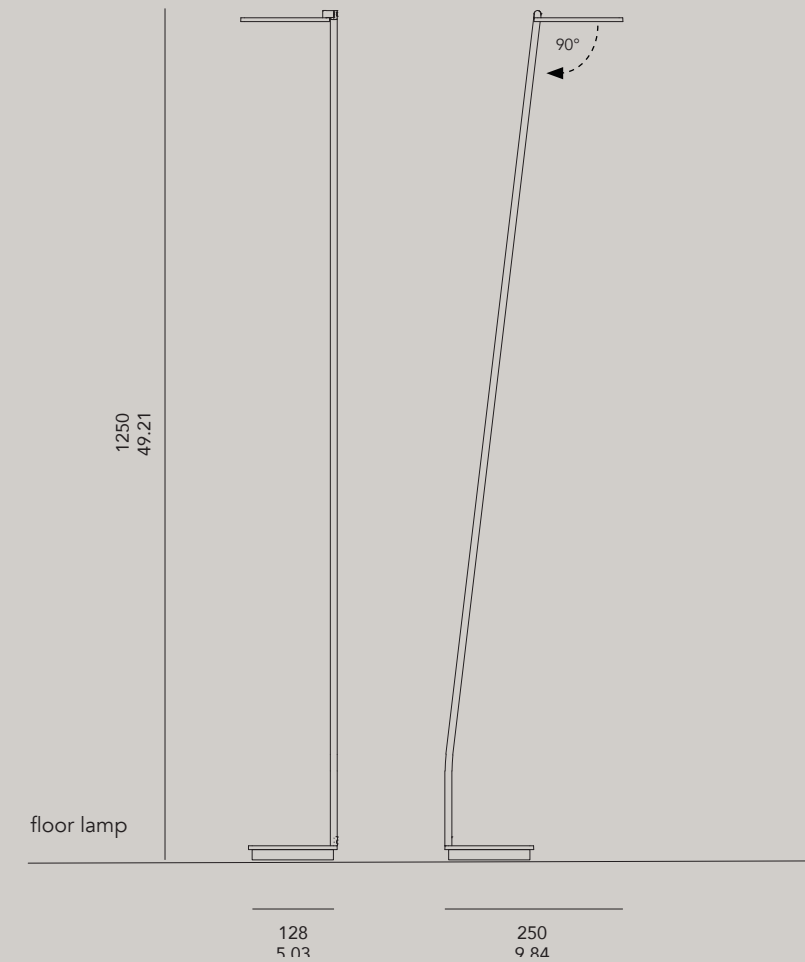
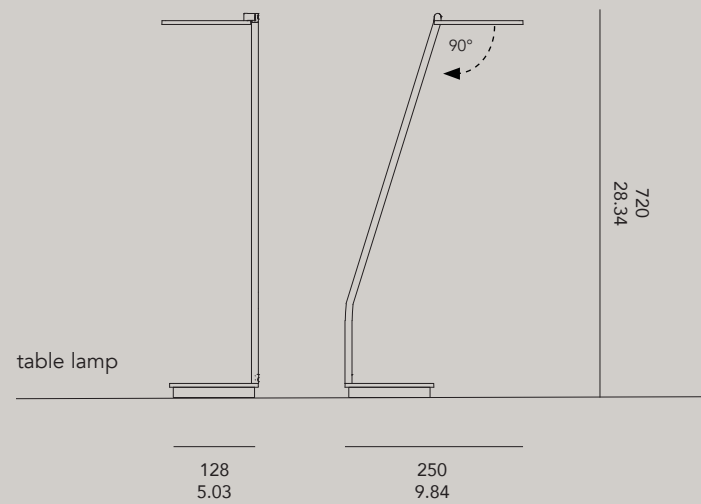
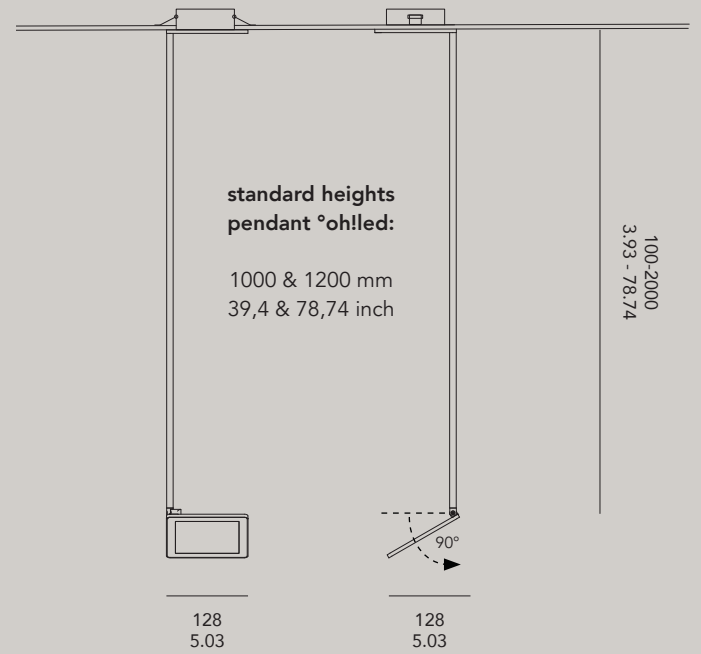
Raising lighting to a new level. In the past OLED has mainly been used for decorative and ambient lighting. OLED stands for Organic LED and produces a natural glare-free light. This innovative OLED luminaire has a lumen output of 300lm from a single 12,7 cm sheet, which makes it the brightest commercially available OLED in the world and makes it perfectly suitable for functional lighting. This sleek panel, mainly made out of aluminium and glass is less than 5mm thick!

Design by Bart Lens









°oh!led

CE ENEC

- OH.WH.10V** pendant oh!led white (incl. ceiling rose), dimmable 1-10V
- OH.BK.10V** pendant oh!led black (incl. ceiling rose), dimmable 1-10V
- OH.WH.DAL** pendant oh!led white (incl. ceiling rose), dimmable DALI
- OH.BK.DAL** pendant oh!led black (incl. ceiling rose), dimmable DALI

standard length 1000 & 1200 mm / 39,4 & 78,74 inch  
other lengths (from 100 to 2000 mm) on request

- OH.TA.WH** table lamp oh!led white
- OH.TA.BK** table lamp oh!led black

- OH.FL.WH** floor lamp oh!led white
- OH.FL.BK** floor lamp oh!led black

coated aluminium - 6,5W, 3000K, 300lm, 100-260VAC, IP20 - weight pendant 0,8kg-1,8lb / table 3,5kg-7,7lb / floor 4,6kg-10,1lb