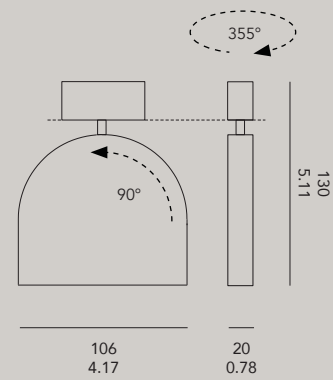


°u-disk NEW

material aluminium coated / PMMA
 weight 300gr / 0.66lb
 voltage 24Vdc
 cri >90
 wattage 13W
 dali supported DT6
 rotation 355°
 inclination 90°
 certifications CE, RoHS
 classifications IP20



UDISK.L.B.O.V.C

Led	WW	2700K 13W		
	WW2	3000K 13W		
	NW2	4000K 13W		
Body color	BK	black matt ral 9011		
	WH	white matt ral 9016		
	AL	aluminium color ral 9006 (on request only)		
Optics	10	optic 10°	WW	855 lm / 21400 cd
			WW2	940 lm / 23700 cd
			NW2	960 lm / 24750 cd
	25	optic 25°	WW	680 lm / 2580 cd
			WW2	720 lm / 2700 cd
			NW2	755 lm / 2835 cd
	35	optic 35°	WW	528 lm / 1540 cd
			WW2	690 lm / 1600 cd
			NW2	725 lm / 1680 cd
Version	T	track mount		
	BI	built in monopoint (plasterkit required)		
Control	IC	individually controlled fixture by DALI DT6		
	OC	track overall control. dimming possible with 0/1-10V, potentiometer or DALI, on 2 circuits (see pag. 76)		
Accessories	PL.70	monopoint plasterkit 70 mm		