
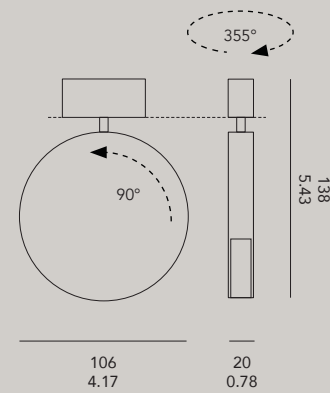


o-disk ^{NEW}

material aluminium coated / PMMA
 weight 300gr / 0.66lb
 voltage 24Vdc
 cri >90
 wattage 13W
 dali supported DT6
 rotation 355°
 inclination 90°
 certifications CE
 classifications IP20 



ODISK.L.B.D.V.C

Led	WW	2700K 9,6W		
	WW2	3000K 9,6W		
	NW2	4000K 9,6W		
Body color	BK	black matt ral 9011		
	WH	white matt ral 9016		
	AL	aluminium color ral 9006 (on request only)		
Diffuser	FI	frosted ice diffuser (wide beam)	WW	245 lm / 150 cd
			WW2	255 lm / 160 cd
			NW2	270 lm / 165 cd
Version	T	track mount		
	BI	built in monopoint (plasterkit required)		
Control	IC	individually controlled fixture by DALI DT6		
	OC	track overall control. dimming possible with 0/1-10V, potentiometer or DALI, on 2 circuits (see pag. 76)		
Accessories	PL.70	monopoint plasterkit 70 mm		